

LORO-X Balcony Drainage Made of Stainless Steel, Series V

Variable Balcony Drainage System

with only one base body and modular setup elements for balcony sealing with liquid plastic or sealing sheets

- installation of base body and set up elements temporally independent
- modular set up elements for all kinds of balcony structures
- set up elements exchangeable when renovating
- made of high-quality stainless steel

New:

- two-piece version for thermally insulated balconies
- with up edged bonding flanges for installation in wall or corner areas



Content

	Page
System Description	2
System Set Up	3
System Overview	4 - 5
Examples of Application	6 - 8
Series V-FL, with bonding flange	6
Series V-AK, with up edged bonding flange	7
Series V-KL, with clamping flange	8
Dimensions and Weights	
Formwork mushroom	9
Base body / -unit	9
Formwork dome	9
Set up elements for one-piece version	10
Set up elements for two-piece version	11-12
Strainer units	13
Installation Instruction	
Installation of the base body / recess dimensions	14
Series V-FL / V-AK - Cold roof	15
Series V-FL / V-AK - Warm roof	16
Series V-KL - Cold roof	17
Series V-KL - Warm roof	18
Installation of downpipes	19
Contact	20

LORO-X Balcony Drainage, Series V

LORO's variable balcony drainage system

Different balcony structures and the usage of new materials, such as liquid plastic or plastic/cement combinations, require balcony systems that are adapted to the situation of the application.

Using its decades-long experience in the area of balcony drainage, LORO has developed balcony drains that are especially adapted to each application. In combination with downpipes made of galvanized steel, they form a balcony drainage system provided by one single source.

The newest development in this area constitutes the LORO-X balcony drainage system Series V - a variable system making use of the modular principle which covers all possibilities of application.

Made of durable stainless steel, the LORO-X balcony drainage system Series V is resistant to heat, frost and UV-radiation in outdoor areas. In combination with the reliable LORO-X steel discharge pipes, the drains of Series V constitute a balcony drainage system from one single source.

Building Shell

The basis of the new programme is a **base body** that can be embedded in the building shell balcony slab together with a formwork mushroom and a formwork dome. This procedure can take place on site or - as with prefabricated balconies - at the factory.

Final Construction

After the installation of the base body, the following **set up elements** can be used in accordance with the balcony structure and temporally independent of the planning progress or any changes in the balcony structure:

- Series V-FL, with bonding flange for the application in balcony slabs with sealing of liquid plastic
- Series V-AK, with up edged bonding flange for liquid plastic in the area of the beginning building components
- Series V-KL, with clamping flange for balcony sealing with bituminous roofing sheets or foils

The system is completed with plastic strainer supports and strainers of stainless steel in round or quadratic shape. Strainers made of stainless steel with pipe penetration enable the application as direct drain.

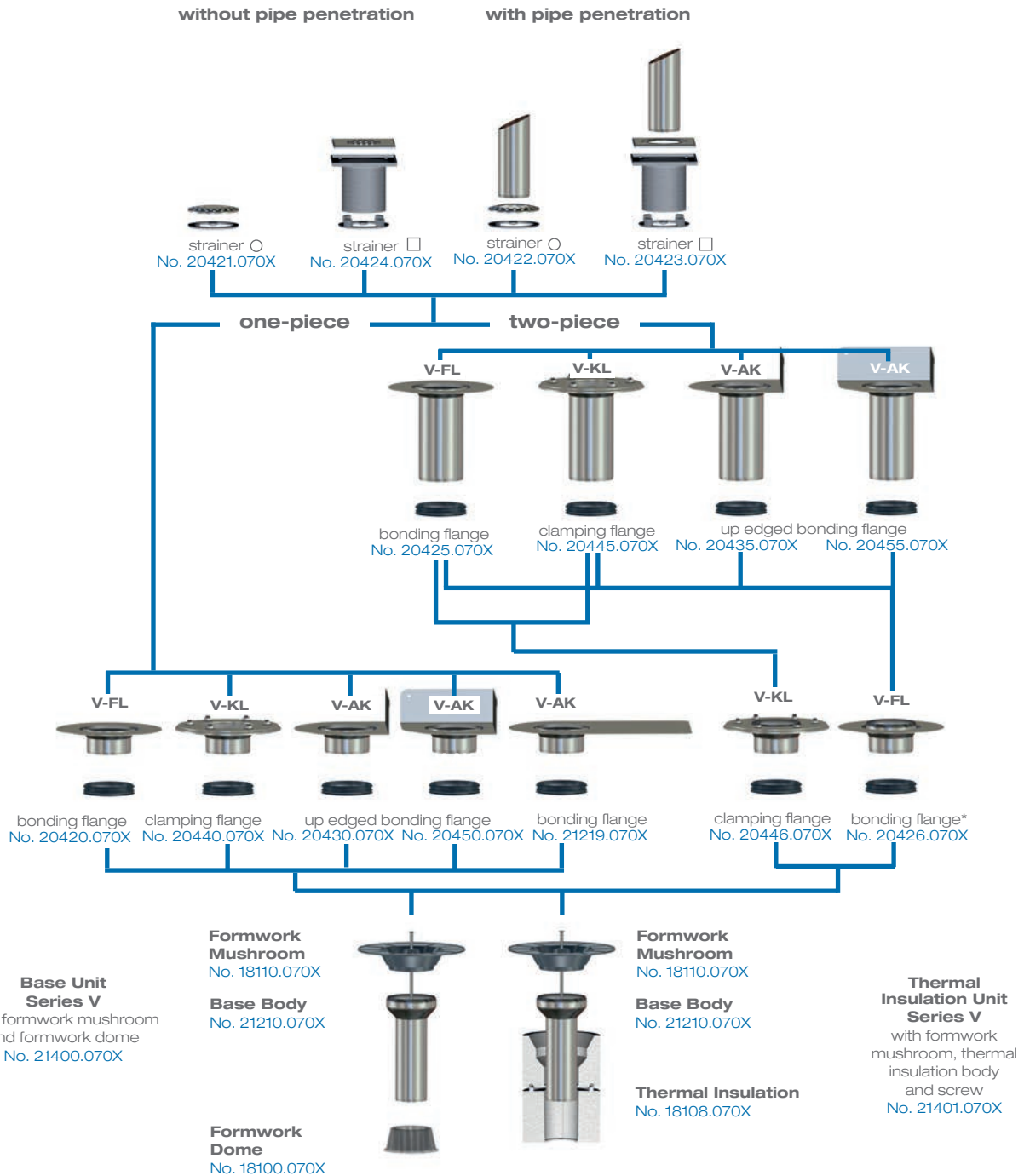
All in all, the LORO-X balcony drainage Series V represents a long-lasting as well as variable balcony drainage system that does not leave open any wishes regarding versatility and processing.

System Set Up

LORO-X Balcony Drainage, Series V

made of stainless steel, DN 70

Variable balcony drainage system with only one base body and modular set up elements, for application on balconies with liquid plastic sealing or sealing sheets



Attention: Please order downpipes separately.

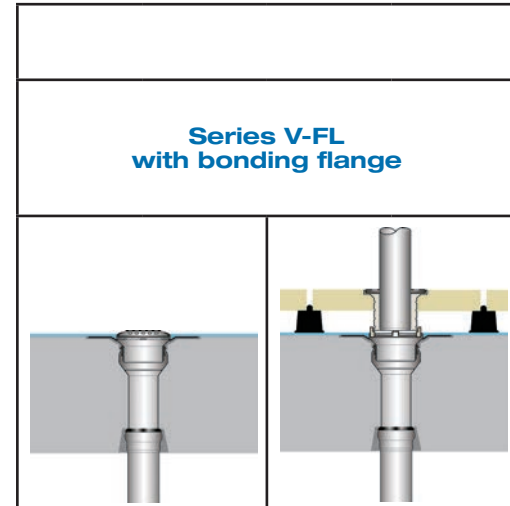
* Adapt the flange during installation in Series V-AK.




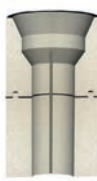
System Overview

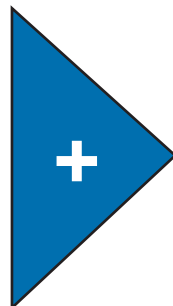
LORO-X Balcony Drainage Systems, DN 70, Series V








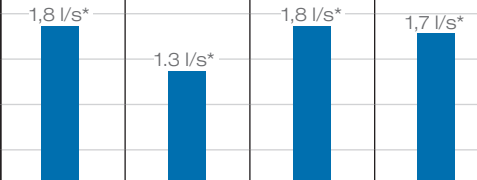
LORO-X balcony drainage systems are fire rated R 60 and R 90 as a complete system with the certificate number:

AbP.-Nr. P-MPA-E-09-010

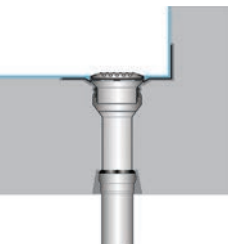
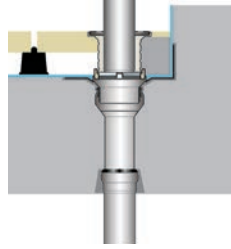
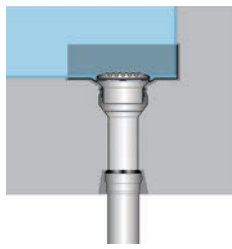
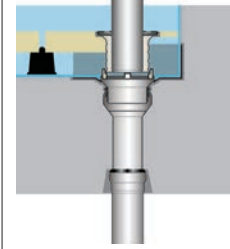
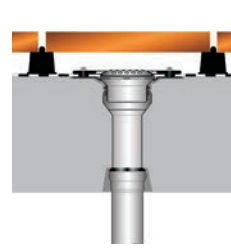
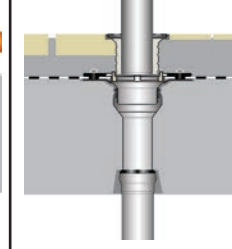











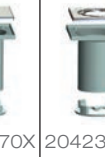


Building Shell
 Formwork Mushroom No. 18110.070X
 Base Body No. 21210.070X
 Sliding Formwork Dome No. 18100.070X
 Thermal Insulation No. 18108.070X



Final Construction	without covering		with covering	
	without	with	without	with
Pipe Penetration Strainer Form				
Set Up Elements for balconies without thermal insulation	Series V-FL  20420.070X			
Extension Units + Set Up Elements for balconies with thermal insulation	Series V-FL  20425.070X + Series V-FL  20426.070X			
LX-No.	LX1221	LX1222	LX1223	LX1224
Discharge rate l/s				

Attention: Please order downpipes separately.

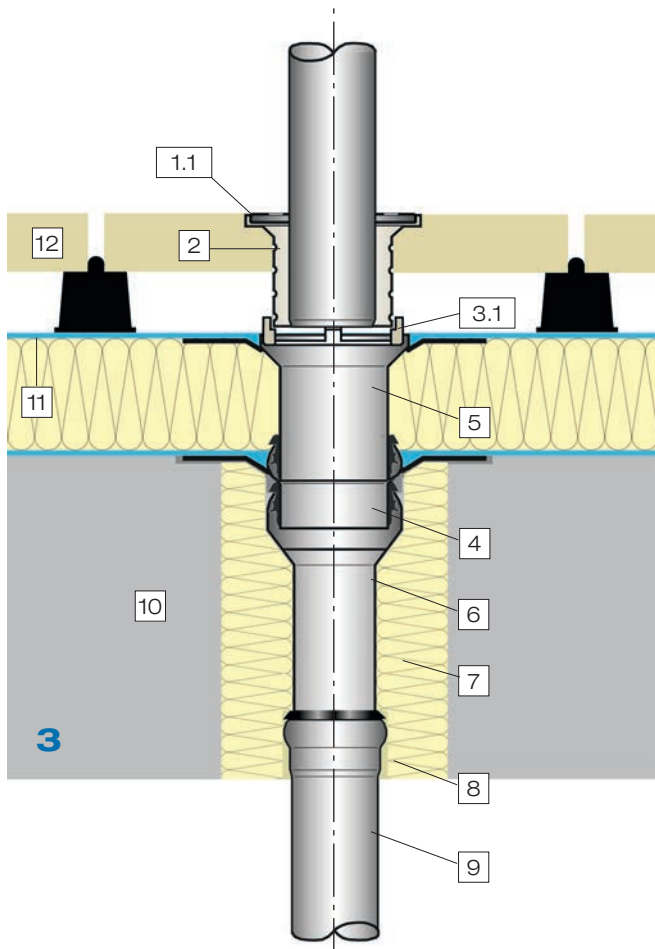
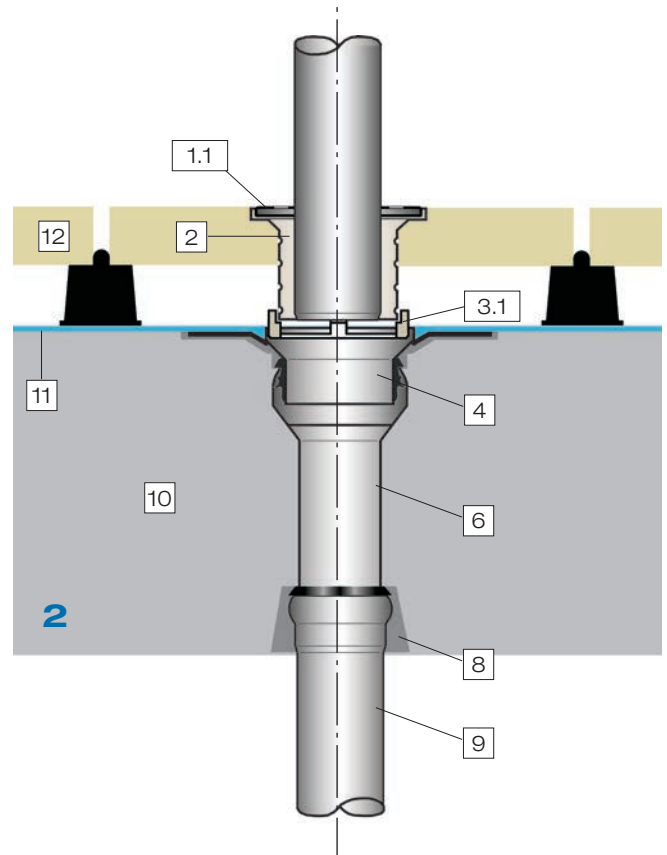
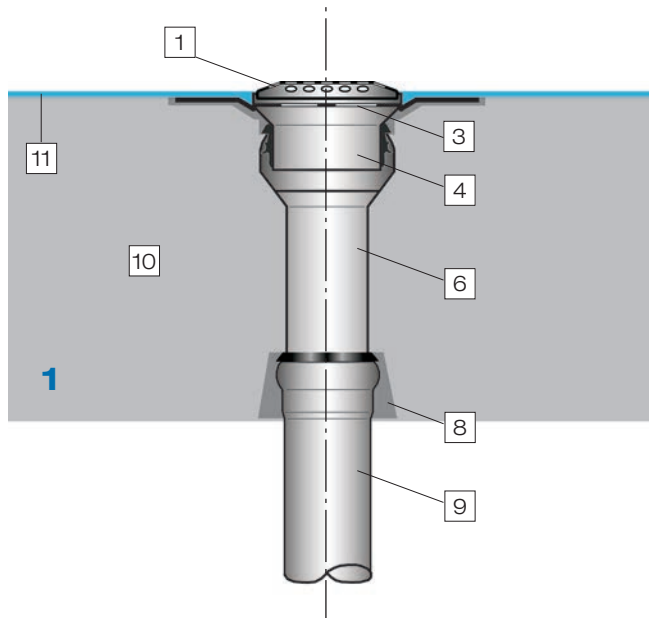
Balcony Sealing with Liquid Plastic								Balcony Sealing with Sealing Sheets			
Series V-AK with up edged bonding flange in wall areas				Series V-AK with up edged bonding flange in room corners				Series V-KL with clamping flange			
without covering		with covering		without covering		with covering		without covering		with covering	
without	with	without	with	without	with	without	with	without	with	without	with
											
											
Series V-AK 20430.070X		Series V-AK 20450.070X		Series V-KL 20440.070X							
Series V-AK 20435.070X		Series V-AK 20455.070X		Series V-KL 20445.070X							
Series V-FL 20426.070X		Series V-FL 20426.070X		Series V-KL 20446.070X							
LX1225	LX1226	LX1227	LX1228	LX1225	LX1226	LX1227	LX1228	LX1229	LX1230	LX1231	LX1232
1,8 l/s*	1,3 l/s*	1,85 l/s*	1,75 l/s*	1,8 l/s*	1,3 l/s*	1,8 l/s*	1,7 l/s*	1,85 l/s*	1,3 l/s*	1,8 l/s*	1,7 l/s*

* At a nominal water level of 35 mm on the balcony.

Examples of Application

Series V-FL, with bonding flange

for balcony sealing with liquid plastic



- 1** one-piece, for balconies without thermal insulation, strainer round, for upper balconies
- 2** one-piece, for balconies without thermal insulation, height-adjustable strainer support, quadratic, for gravel bed or supported slabs and strainer made of stainless steel with pipe penetration
- 3** two-piece, for balconies with thermal insulation, height-adjustable strainer support, quadratic, for gravel bed or supported slabs and strainer made of stainless steel with pipe penetration

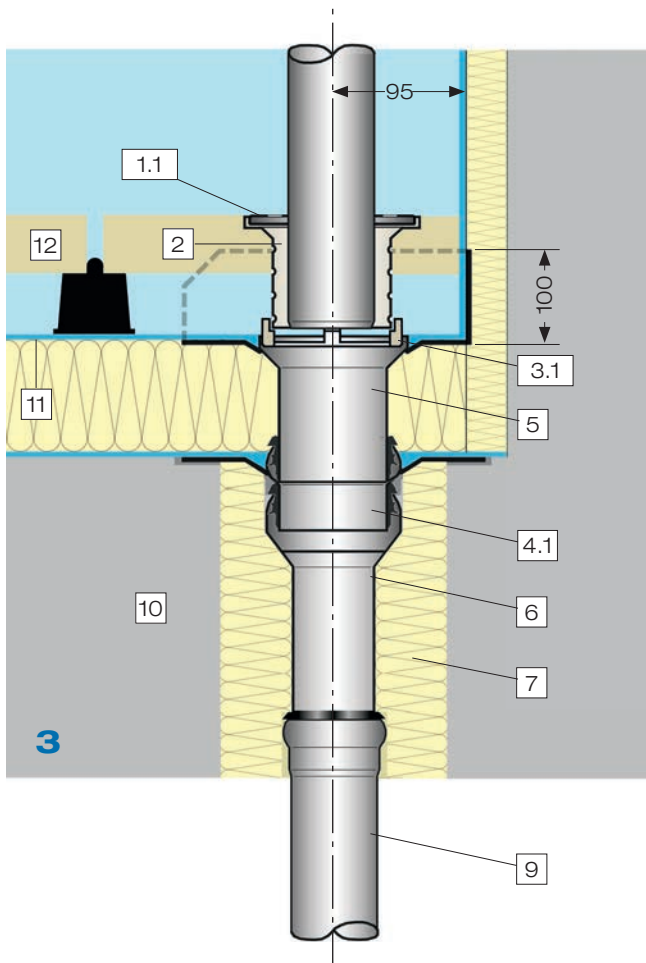
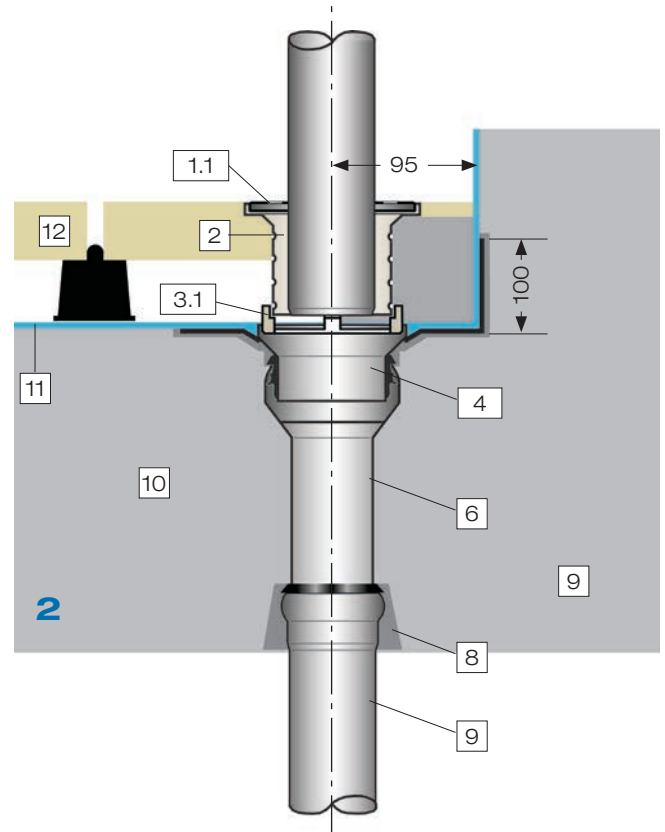
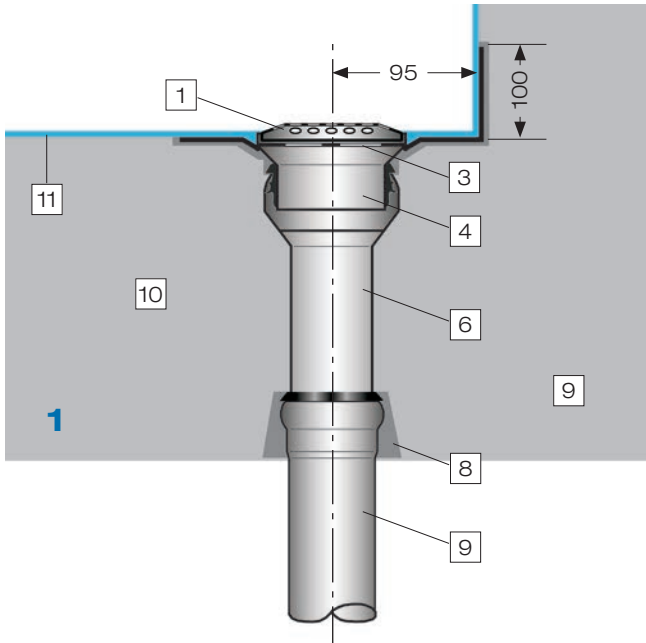
- 1 Strainer, round, without pipe penetration
- 1.1 Strainer, quadratic, with pipe penetration
- 2 Strainer support, height-adjustable
- 3 Support ring
- 3.1 Drainage ring
- 4 LORO-X balcony drain set up element Series V-FL with bonding flange for liquid plastic, with sealing element
- 5 Extension cartridge, Series V-FL
- 6 Base body
- 7 Thermal insulation body
- 8 LORO-X formwork dome, slidable (not depicted)
- 9 LORO-X steel discharge pipe
- 10 Concrete slab
- 11 Liquid plastic, layer thickness ca. 2 mm
- 12 Supported slabs

Examples of Application

Series V-AK,

with up edged bonding flange

for balcony sealing with liquid plastic



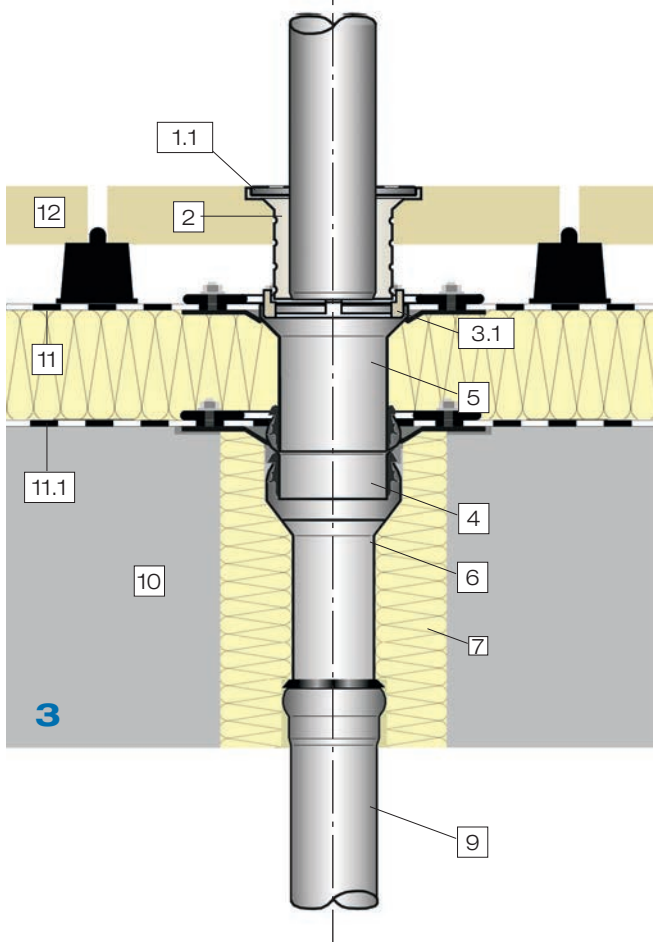
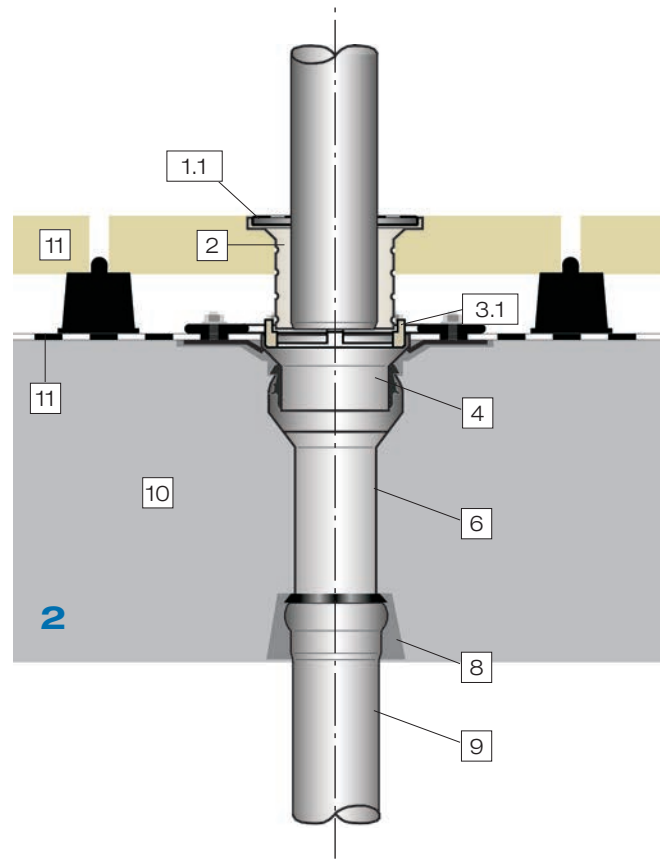
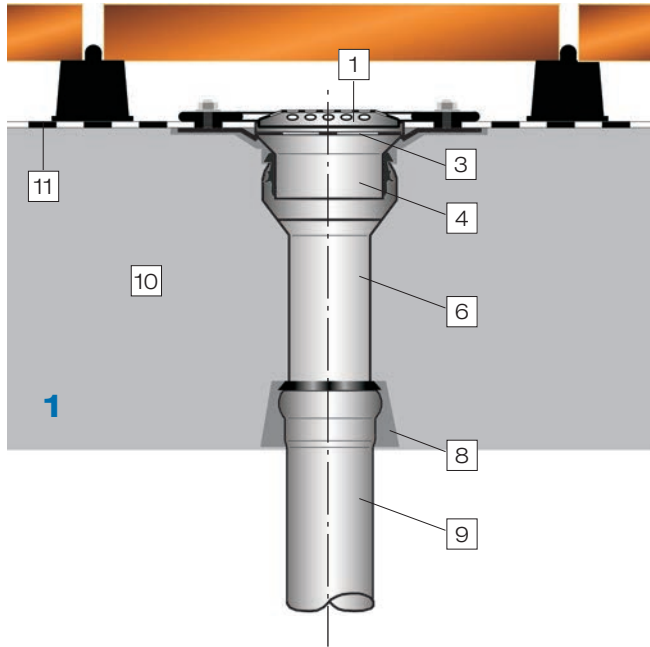
- 1** one-piece, for balconies without thermal insulation, with raised edge in the wall area, strainer round, for upper balconies
- 2** one-piece, for balconies without thermal insulation, with raised edge in the wall area, height-adjustable strainer support, quadratic, for gravel bed or supported slabs and strainer made of stainless steel with pipe penetration
- 3** two-piece, for balconies with thermal insulation, with raised edge in the wall and corner area, height-adjustable strainer support, quadratic, for gravel bed or supported slabs and strainer made of stainless steel with pipe penetration

- 1 Strainer, round, without pipe penetration
- 1.1 Strainer, quadratic, with pipe penetration
- 2 Strainer support, height-adjustable
- 3 Support ring
- 3.1 Drainage ring
- 4 LORO-X balcony drain set up element Series V-AK with raised edge in the wall area, with sealing element
- 4.1 LORO-X balcony drain set up element Series V-FL with bonding flange, with sealing element
- 5 Extension cartridge, with bonding flange upstand in the wall and corner area, Series V-AK
- 6 Base body
- 7 Thermal insulation body
- 8 LORO-X formwork dome, slidable (not depicted)
- 9 LORO-X steel discharge pipe
- 10 Concrete slab
- 11 Liquid plastic, layer thickness ca. 2 mm
- 12 Supported slabs

Examples of Application

Series V-KL, with clamping flange

for balcony sealing with sealing sheets

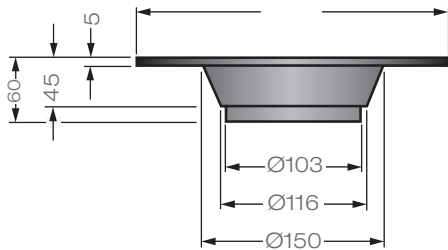


- 1** one-piece, for balconies without thermal insulation, strainer round, for upper balconies
- 2** one-piece, for balconies without thermal insulation, height-adjustable strainer support, quadratic, for gravel bed or supported slabs and strainer made of stainless steel with pipe penetration
- 3** two-piece, for balconies with thermal insulation, height-adjustable strainer support, quadratic, for gravel bed or supported slabs and strainer made of stainless steel with pipe penetration

- 1 Strainer, round, without pipe penetration
- 1.1 Strainer, quadratic, with pipe penetration
- 2 Strainer support, height-adjustable
- 3 Support ring
- 3.1 Drainage ring
- 4 LORO-X balcony drain set up element Series V-KL with bonding flange for liquid plastic, with sealing element
- 5 Extension cartridge, Series V-KL
- 6 Base body
- 7 Thermal insulation body
- 8 LORO-X formwork dome, slidable (not depicted)
- 9 LORO-X steel discharge pipe
- 10 Concrete slab
- 11 Sealing sheet
- 11.1 Vapor barrier sheet
- 12 Supported slabs

Dimensions and Weights

LORO Balcony Drains, Series V

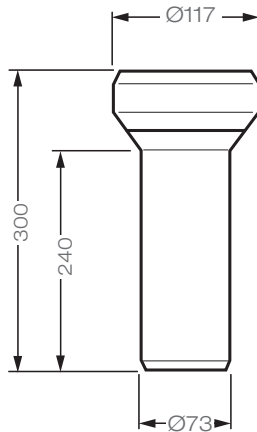


Formwork Mushroom

for base body, DN 70
made of plastic

Art.-No. 18110.070X

Weight: 0.1 kg

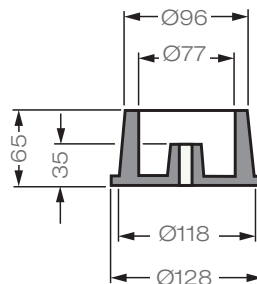


Base Body

DN 70, made of stainless steel

Art.-No. 21210.070X

Weight: 0.8 kg



Formwork Dome

for sliding onto LORO-X pipe, DN 70
made of plastic

Art.-No. 18100.070X

Weight: 0.1 kg

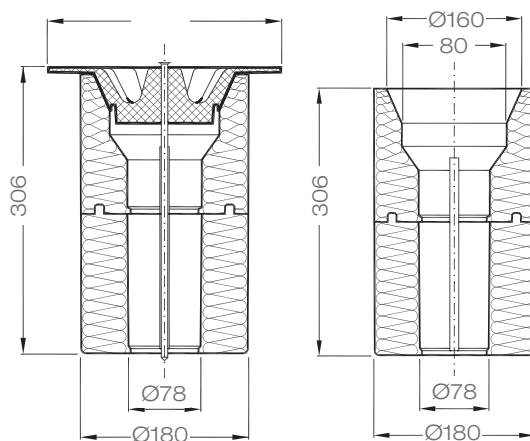
Base Body Unit, Series V

DN 70, made of stainless steel
for all set up elements/balcony structures
consisting of:

base body, formwork mushroom and formwork dome

Art.-No. 21400.070X

Weight: 1.1 kg



Thermal Insulation Body

for base body Art.-No. 21210.070X
DN 70, made of stainless steel

Art.-No. 18108.070X

Weight: 0.4 kg

Thermal Insulation Unit, Series V

consisting of:
formwork mushroom, thermal insulation body and
fastening screw

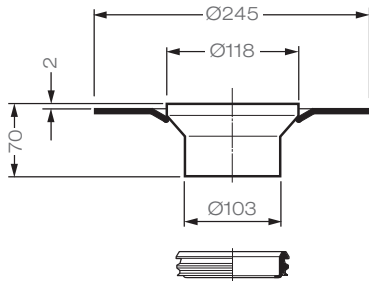
Art.-No. 21401.070X

Weight: 0.7 kg

Dimensions and Weights

Set Up Elements

**for one-piece version
for balconies without thermal insulation**



Series V-FL

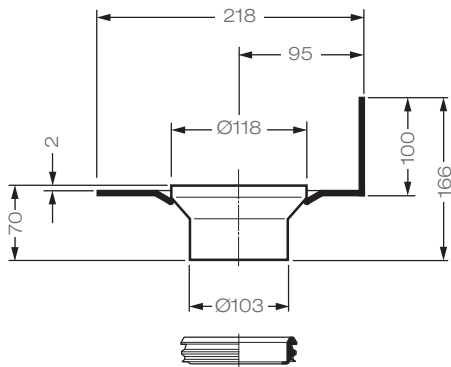
with bonding flange for sealing with liquid plastic

consisting of:

set up element with bonding flange,
sealing element DN 100

Art.-No. 20420.070X

Weight: 1.0 kg



Series V-AK

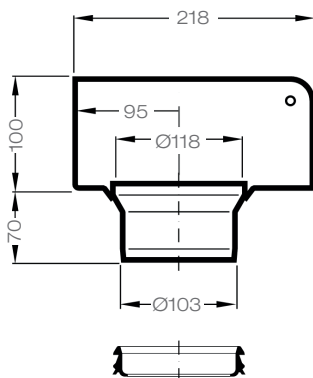
with up edged bonding flange for sealing with liquid plastic in wall areas

consisting of:

set up elements with up edged bonding flange,
sealing element DN 100

Art.-No. 20430.070X

Weight: 1.3 kg



Series V-AK

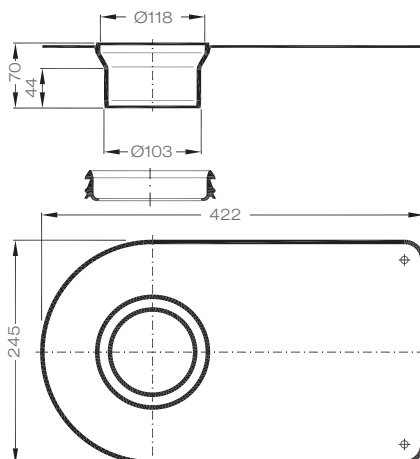
with up edged bonding flange for sealing with liquid plastic in wall and corner areas

consisting of:

set up element with up edged bonding flange for wall and corner areas and sealing element DN 100

Art.-No. 20450.070X

Weight: 1.5 kg



Series V-AK

with variabel up edged bonding flange for sealing with liquid plastic

for balconies without further set-up:

consisting of:

set up elements with up edged bonding flange,
sealing element DN 100

Art.-No. 21219.070X

Weight: 0.9 kg

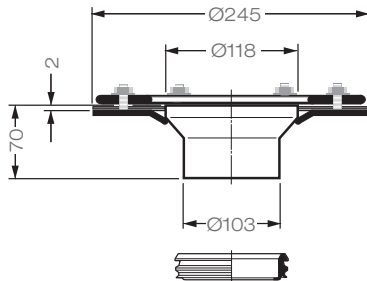
* Can be omitted when bituminous roofing sheets are used.

Dimensions and Weights

Set Up Elements

for one-piece version

for balconies without thermal insulation



Series V-KL

with clamping flange for sealing with sealing sheets

consisting of:

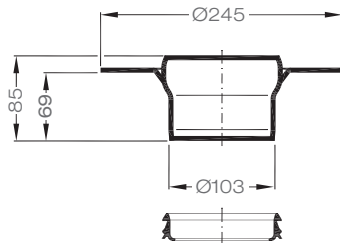
set up element with clamping flange,
compression seal*,
sealing element DN 100

Art.-No. 20440.070X

Weight: 1.6 kg

for two-piece version

for balconies with thermal insulation



Series V-FL

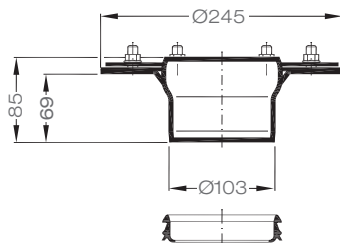
with bonding flange, for sealing with liquid plastic

consisting of:

set up element with socket and bonding flange,
sealing element DN 100

Art.-No. 20426.070X

Weight: 1.1 kg



Series V-KL

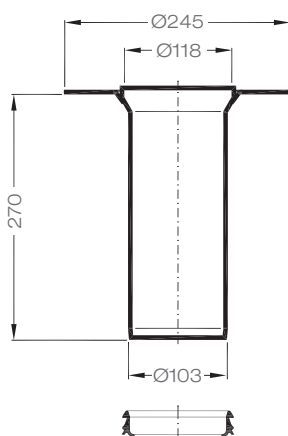
with clamping flange for sealing with liquid plastic

consisting of:

set up element with socket and clamping flange,
sealing element DN 100

Art.-No. 20446.070X

Weight: 2.0 kg



Extension Units

for two-piece version

for balconies with thermal insulation

Series V-FL

with bonding flange, for sealing with liquid plastic

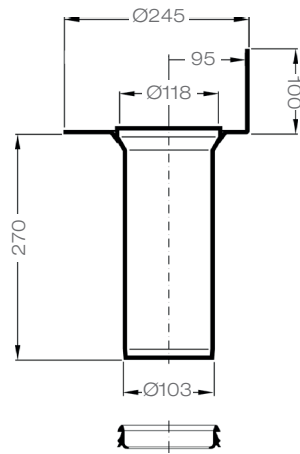
consisting of:

extension unit with bonding flange,
sealing element DN 100

Art.-No. 20425.070X

Weight: 1.8 kg

Dimensions and Weights



Extension Units

for two-piece version

for balconies with thermal insulation

Series V-AK

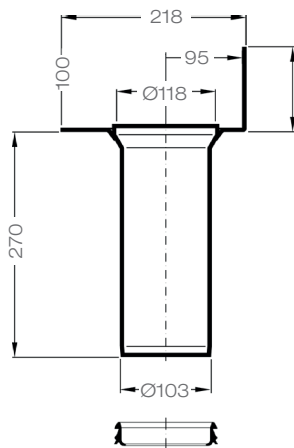
with up edged bonding flange for sealing with liquid plastic in wall areas

consisting of:

extension unit with up edged bonding flange,
sealing element DN 100

Art.-No. 20435.070X

Weight: 2.1 kg



Extension Units, Series V-AK

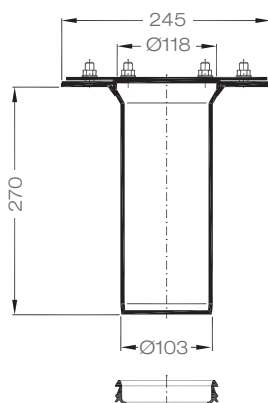
with up edged bonding flange for sealing with liquid plastic in wall and corner areas

consisting of:

extension unit with up edged bonding flange for wall and corner areas, sealing element DN 100

Art.-No. 20455.070X

Weight: 2.3 kg



Extension Units, Series V-KL

with clamping flange for sealing with sealing sheets

consisting of:

extension unit with clamping flange,
sealing element DN 100

Art.-No. 20445.070X

Weight: 2.6 kg

Dimensions and Weights

Strainer Units

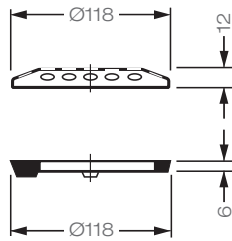
for upper balconies
without further Aufbau

LORO Balcony Drain Strainer Unit, Series V

consisting of:
strainer round, **without** pipe penetration, support ring

Art.-No. 20421.070X

Weight: 0.5 kg



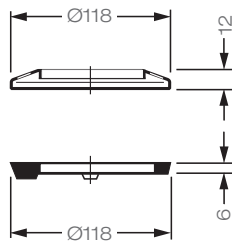
for balcony floors
without further Aufbau

LORO Balcony Drain Strainer Unit, Series V

consisting of:
strainer round, **with** pipe penetration, support ring

Art.-No. 20422.070X

Weight: 0.5 kg



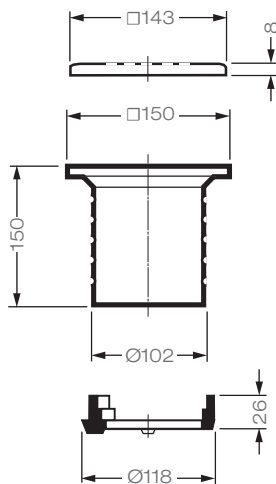
for upper balconies

LORO Balcony Drain Strainer Unit, Series V, with height-adjustable strainer support for additional balcony Balkonaufbau

consisting of:
strainer quadratic, **without** pipe penetration,
strainer support 150 mm x 150 mm, height-adjustable,
drainage ring

Art.-No. 20424.070X

Weight: 1.0 kg



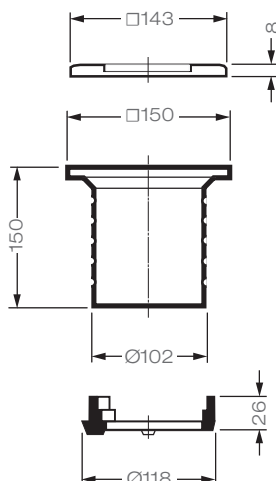
for balcony floors

LORO Balcony Drain Strainer Unit, Series V, with height-adjustable strainer support for additional balcony Balkonaufbau

consisting of:
strainer quadratic, **with** pipe penetration,
strainer support 150 mm x 150 mm, height-adjustable,
drainage ring

Art.-No. 20423.070X

Weight: 1.0 kg

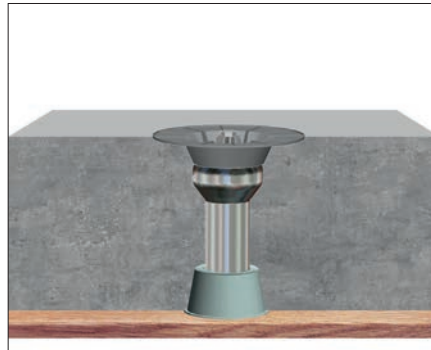


LORO-X Balcony Drainage, Series V

Installation of the base body in a balcony made of in-situ concrete or prefabricated balcony parts in **cold roof version**



Basebody, formwork mushroom* and formwork dome taken together amount to the thickness of the balcony slab. The base body has to be cut to length accordingly.



Screw base body with formwork mushroom* and formwork dome at the penetration point on the formwork**. Cast the balcony slab. For an easier deinstallation it is recommended to moisten the formwork dome with formwork oil.

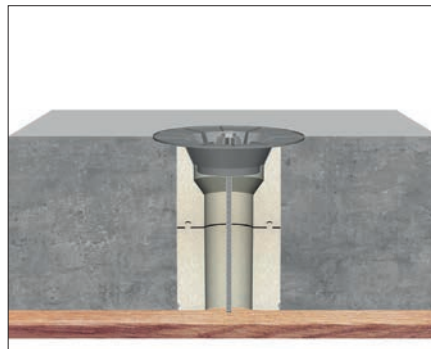


Remove the formwork mushroom and the formwork. The installed, non-insulated base body is ready for adding further balcony structures and connecting pipes.

in **warm roof** version



Formwork mushroom* and thermal insulation body taken together amount to the thickness of the balcony slab. The thermal insulation body has to be cut to length accordingly.



Screw thermal insulation body with formwork mushroom* and formwork dome at the penetration point on the formwork**. Cast the balcony slab.



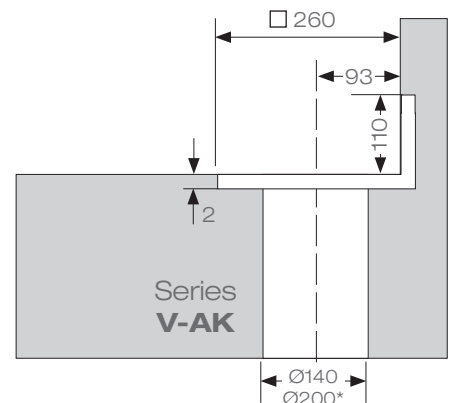
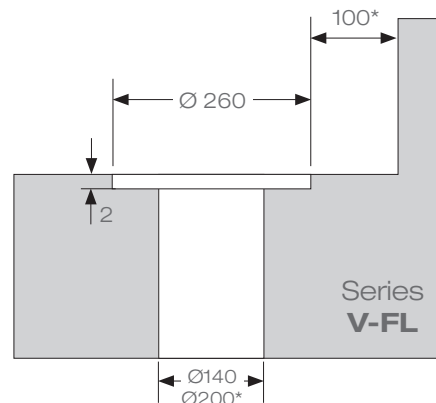
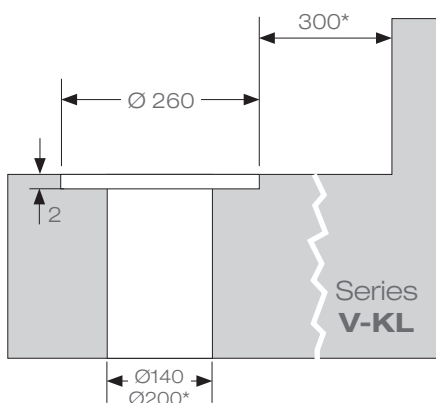
Remove formwork mushroom and formwork and put the base body Series V into the installed thermal insulation body. The thermally insulated base body is ready for adding further balcony structures and connecting pipes.

* The hole in the formwork mushroom has to be enlarged to $\varnothing 6,0$ mm.

**Before pouring the concrete, the screw head (M8 x 320, Art.-No. 18109.320X) should be taped.

Tapping hole and recess dimensions

for new construction or renovation



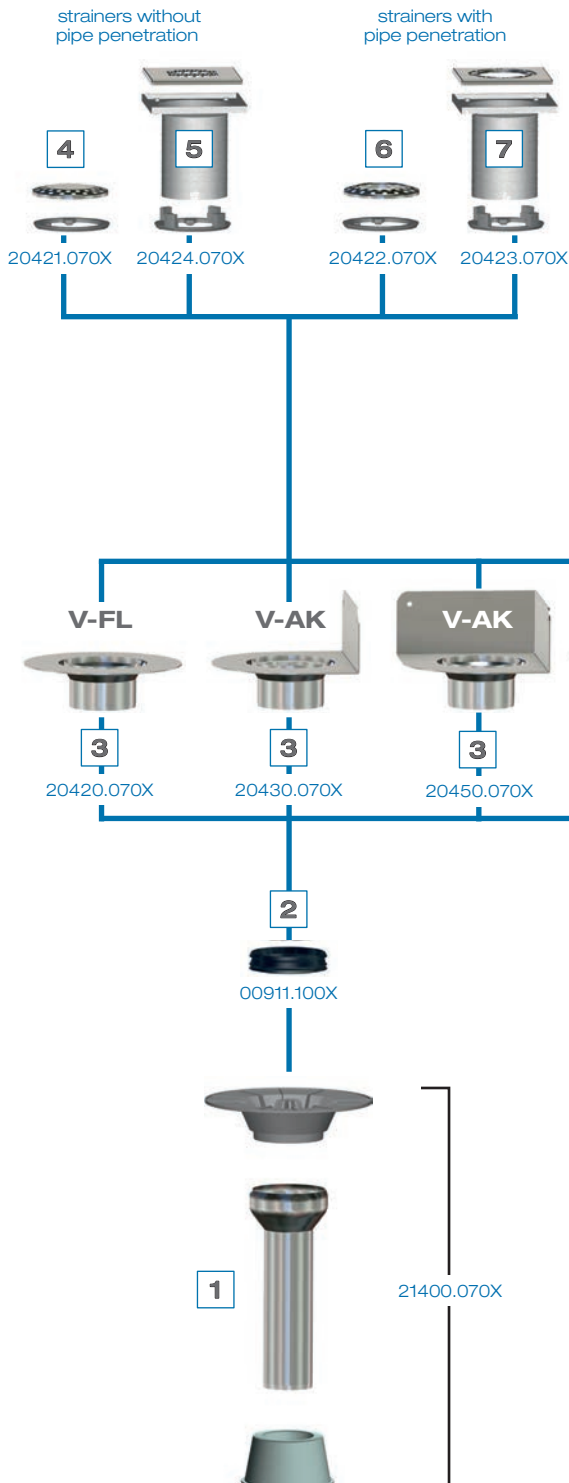
* Tapping hole when using thermal insulation body Art.-No. 21401X or 18108X (two-piece version)

** according to DIN 18531-5 July 2017

LORO-X Balcony Drainage, Series V-FL / Series V-AK

- Balcony sealing with liquid plastic
- Cold roof

Installation of the base body see page 14.



- 1 Check the in concrete embedded **base bodies**. Remove concrete remains, if necessary.
- 2 Place **LORO-X sealing element** DN 100 into the socket of the base body and completely lubricate it with LORO-X lubricant.
Attention: Pay attention to the proper positioning of the sealing element in order to guarantee backwater protection.
- 3 **Set up elements Series V-FL/V-AK:**
 - Series V-FL, with bonding flange
 - Series V-AK, with up edged flange
 - Series V-AK, with up edged corner flange
 Lubricate the outlet end of the set up element with lubricant and insert it into the sealing element of the base body. If necessary, backfill the gaps with mortar.
- 4 **Installation of strainer** ○
For balcony structures without additional covering,
- 6 installation of the strainers ○ without height adjustment in combination with the installation of the pipe (see page 19).

Installation of strainer and strainer support □

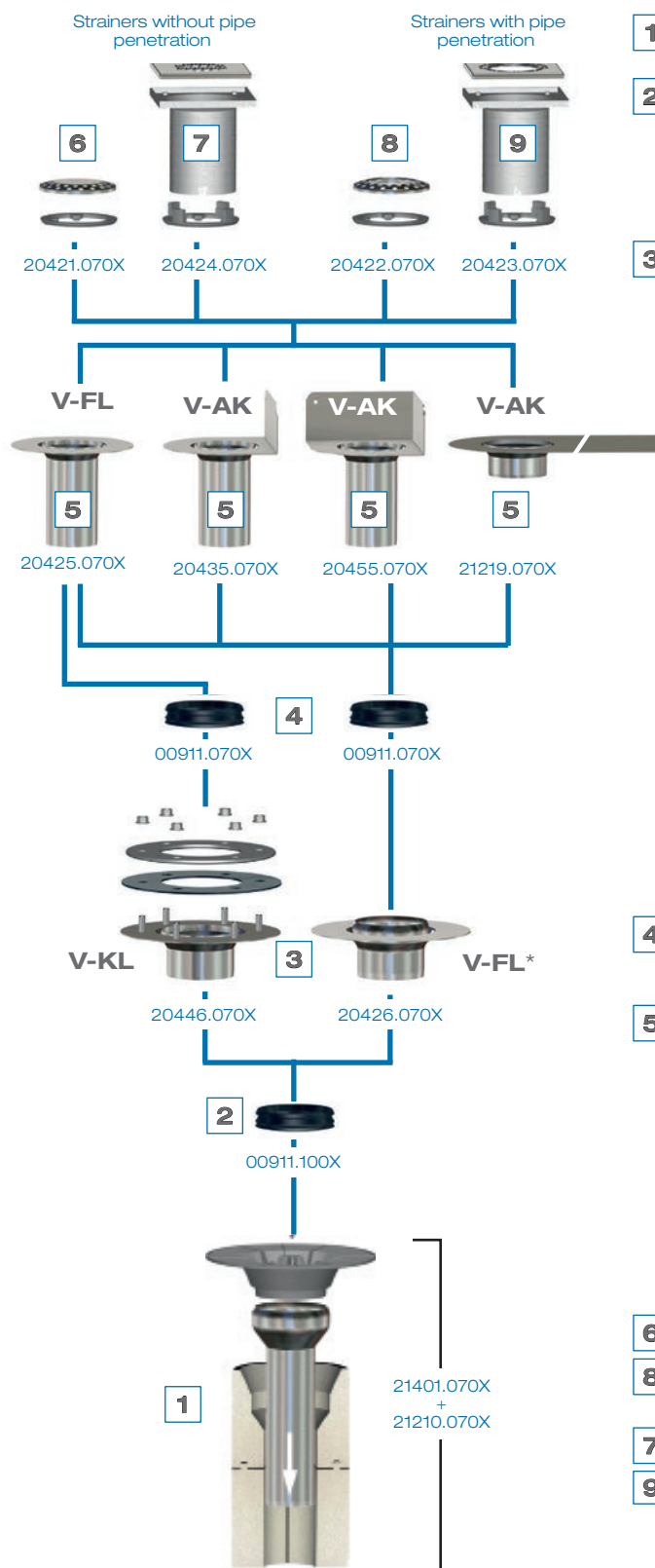
- 5 For balcony structures with additional covering such as tiles in mortal bed, tiles in gravel bed or on supported slabs.
- 7 Installation of the strainers and strainer supports □ with height adjustment in combination with the installation of the pipe (see page 19).

LORO-X Balcony Drainage, Series V-FL / Series V-AK

• Balcony sealing with liquid plastic

• Warm roof

Installation of the base body see page 14.



- 1 Insert the **base body** into the thermal insulation body that is embedded in concrete.
- 2 Place **LORO-X sealing element** DN 100 into the socket of the base body and completely lubricate it with LORO-X lubricant.

Attention: Pay attention to the proper positioning of the sealing element in order to guarantee backwater protection.

- 3 **Set up elements Series V-FL/V-KL:** Lubricate the outlet end of the set up element with lubricant and insert it into the sealing element of the base body. If necessary, backfill the gaps with mortar.

Please note:

- Set up element Series V-FL, with bonding flange
When installing the extension units Series V-AK, the bonding flange of the set up element has to be placed at the wall.
- Set up element Series V-KL, with clamping flange
For prepunching the vapor barrier, the loose flange can be used as hole template.
When using a plastic vapor barrier, the **compression seal*** has to be positioned on the fixed flange under the vapor barrier. **When using vapor barriers made of bitumen no compression seal is used.**
In order to clamp the vapor barrier, screw together the fixed and the loose flange with the six enclosed hexagonal flange nuts M 10.
Tightening torque: 15 Nm.

Follow the processing guidelines of the roofing sheet producers.

According to the technical rules for sealings (flat roof guidelines, edition December 2016), the nuts of the flange connection have to be tightened 3x. The last tightening should take place at the earliest after 24 hours.

- 4 Place **LORO-X sealing element** DN 100 into the socket of the base body and completely lubricate it with LORO-X lubricant (see point 2).
- 5 **Extension cartridge Series V-FL / V-AK:** Cut the extension cartridge to the desired length (thermal insulation height).
Lubricate the outlet end of the extension cartridge with lubricant and insert it into the sealing element of the set up element.
Attention:
 - The installation of the extension cartridge of Series V-FL is possible in combination with all set up elements.
 - The installation of the extension cartridges of Series V-AK is not possible in combination with the set up element of Series V-KL.

6 Installation of strainer ○

For balcony structures without additional covering, installation of the strainers ○ without height adjustment in combination with the installation of the pipe (see page 19).

7 Installation of strainer and strainer support □

- 9 For balcony structures with additional covering such as tiles in mortar bed, tiles in gravel bed or on supported slabs.

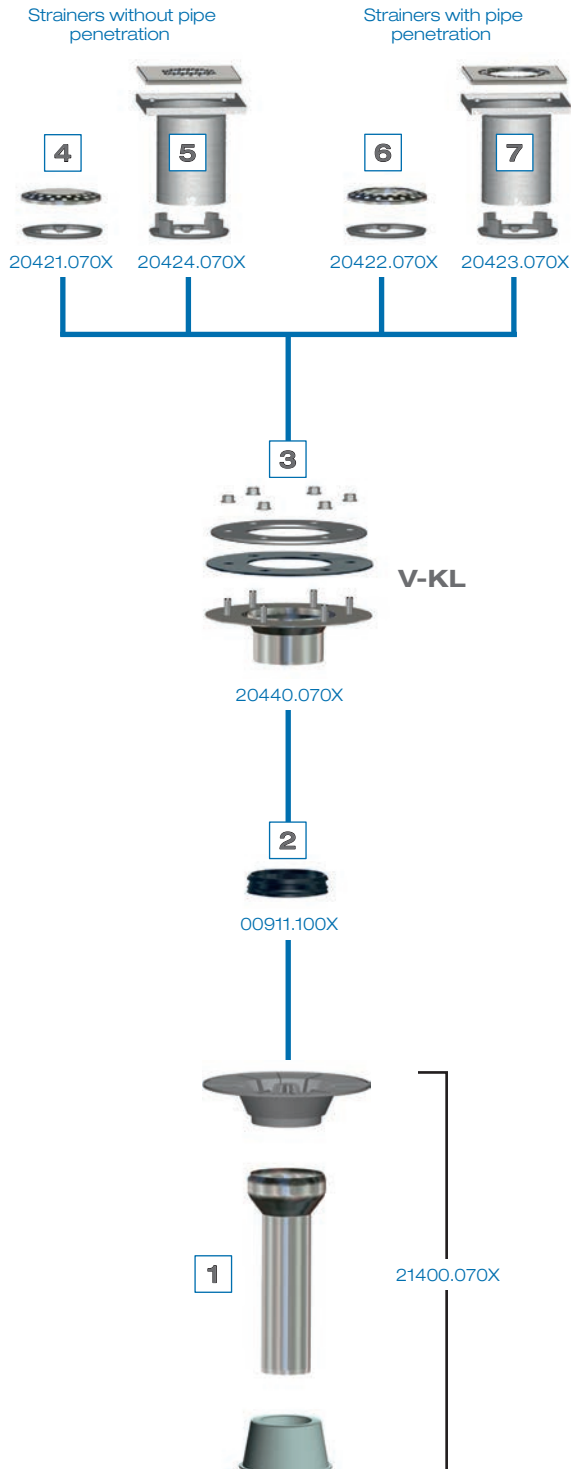
Installation of the strainers and strainer supports □ with height adjustment in combination with the installation of the pipe (see page 19).

* If a second compression seal is needed, the material of the roofing sheet can be used to produce one on site. Otherwise one can be ordered from LOROWERK.

* adjust the flange when installing in Series V-AK

LORO-X Balcony Drainage, Series V-KL

- Balcony sealing with sealing sheets
- Cold roof



Installation of the base body see page 14.

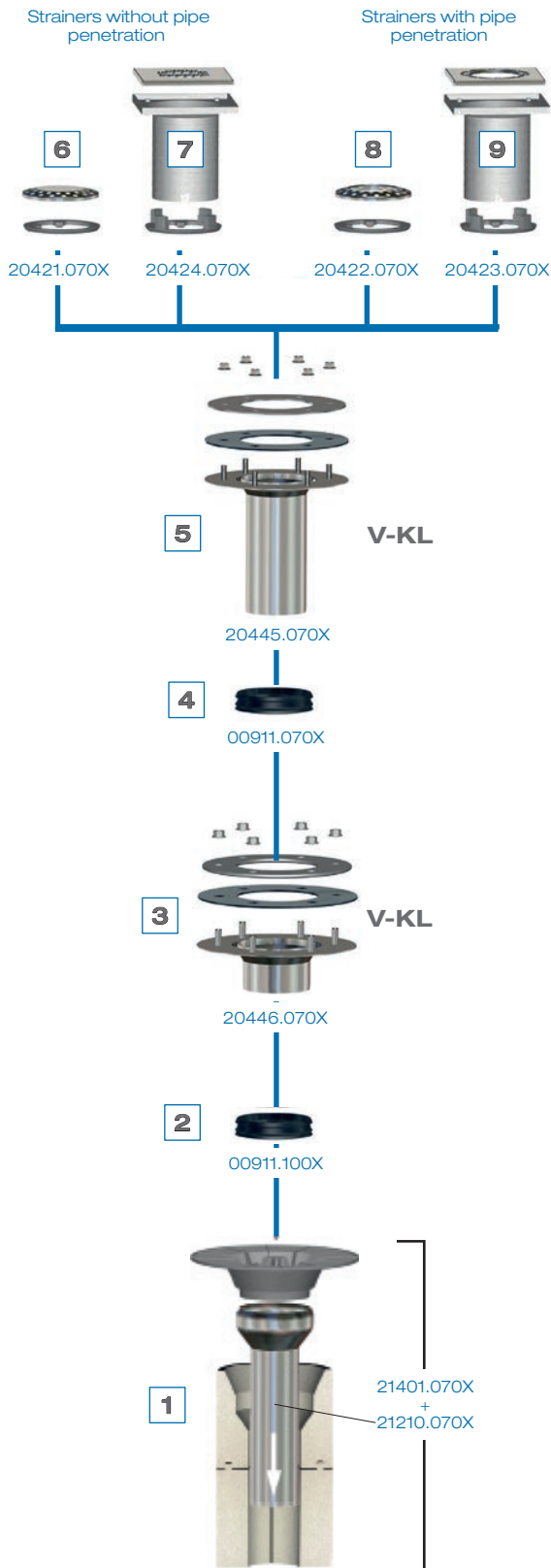
- 1 Check the in concrete embedded **base bodys**. Remove concrete remains, if necessary.
- 2 Place **LORO-X sealing element** DN 100 into the socket of the base body and completely lubricate it with LORO-X lubricant.
Attention: Pay attention to the proper positioning of the sealing element in order to guarantee backwater protection.
- 3 **Set up element Series V-KL:**
Lubricate the outlet end of the set up element with lubricant and insert it into the sealing element of the base body. If necessary, backfill the gaps with mortar. In order to clamp the vapor barrier, screw together the fixed and the loose flange with the six enclosed hexagonal flange nuts M 10. Tightening torque: 15 Nm. The **compression sealing*** has to be positioned on the fixed flange below the vapor barrier.
When using bituminous sealing sheets, no compression sealing is necessary.
Follow the processing guidelines of the roofing sheet producers.
According to the technical rules for sealings (flat roof guidelines, edition December 2016), the nuts of the flange connection have to be tightened 3x. The last tightening should take place at the earliest after 24 hours.
- 4 **Installation of strainer** ○
For balcony structures without additional covering,
- 6 installation of the strainers ○ without height adjustment in combination with the installation of the pipe (see page 19).
- 5 **Installation of strainer and strainer support** □
7 For balcony structures with additional covering such as tiles in mortar bed, tiles in gravel bed or on supported slabs.
Installation of the strainers and strainer supports □ with height adjustment in combination with the installation of the pipe (see page 19).

* If a second compression seal is needed, the material of the roofing sheet can be used to produce one on site. Otherwise one can be ordered from LOROWERK.

LORO-X Balcony Drainage, Series V-KL

- Balcony sealing with sealing sheets
- **Warm roof**

Installation of the base body see page 14.



- 1 Insert the **base body** into the thermal insulation body that is embedded in concrete.
- 2 Place **LORO-X sealing element** DN 100 into the socket of the base body and completely lubricate it with LORO-X lubricant.
Attention: Pay attention to the proper positioning of the sealing element in order to guarantee backwater protection.
- 3 **Set up element Series V-KL:**
Lubricate the outlet end of the set up element with lubricant and insert it into the sealing element of the base body. If necessary, backfill the gaps with mortar. For prepunching the vapor barrier the loose flange can be used as hole template.

In order to clamp the vapor barrier, screw together the fixed and the loose flange with the six enclosed hexagonal flange nuts M 10. Tightening torque: 15 Nm.
The **compression sealing*** has to be positioned on the fixed flange below the vapor barrier.

When using bituminous sealing sheets, no compression sealing is necessary.

Follow the processing guidelines** of the roofing sheet producers.

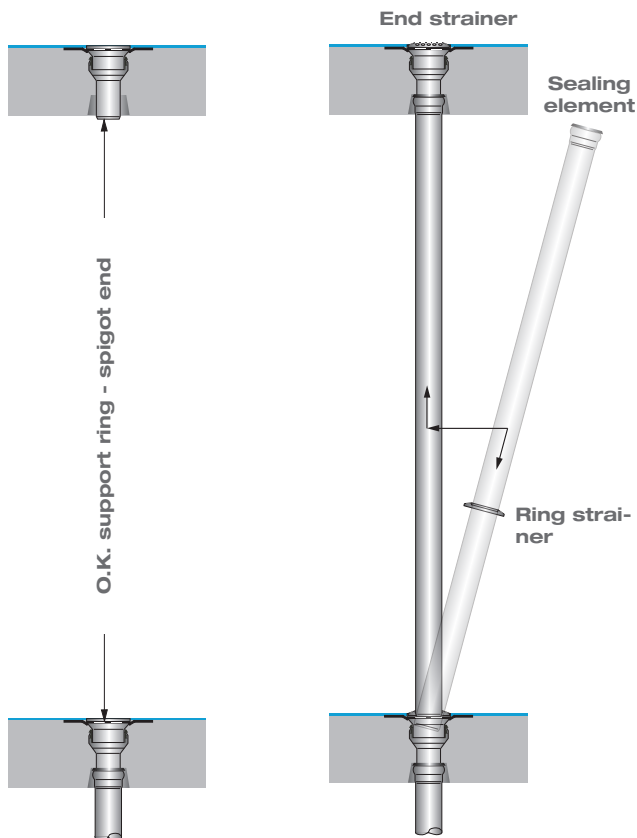
- 4 Insert the LORO-X sealing element DN 100 into the socket of the set up element and completely lubricate it with LORO-X lubricant.
Attention: Pay attention to the proper positioning of the sealing element in order to guarantee backwater protection.
- 5 **Extension cartridge Series V-KL:**
Cut the extension cartridge to the desired length (thermal insulation height).
Lubricate the outlet end of the extension cartridge with lubricant and insert it into the sealing element of the set up element, Series V-KL.
Vorgehensweise bei Einklemmen der Abdichtungsbahn analog Punkt 3 Einklemmen der Dampfsperre.

- 6 **Installation strainer** ○
For balcony structures without additional covering,
- 8 installation of the strainers ○ without height adjustment in combination with the installation of the pipe (see page 19).
- 7 **Installation of strainer and strainer support** □
- 9 For balcony structures with additional covering such as tiles in mortar bed, tiles in gravel bed or on supported slabs.

Installation of the strainers and strainer supports □ with height adjustment in combination with the installation of the pipe (see page 19).

* If a second compression seal is needed, the material of the roofing sheet can be used to produce one on site. Otherwise one can be ordered from LOROWERK.

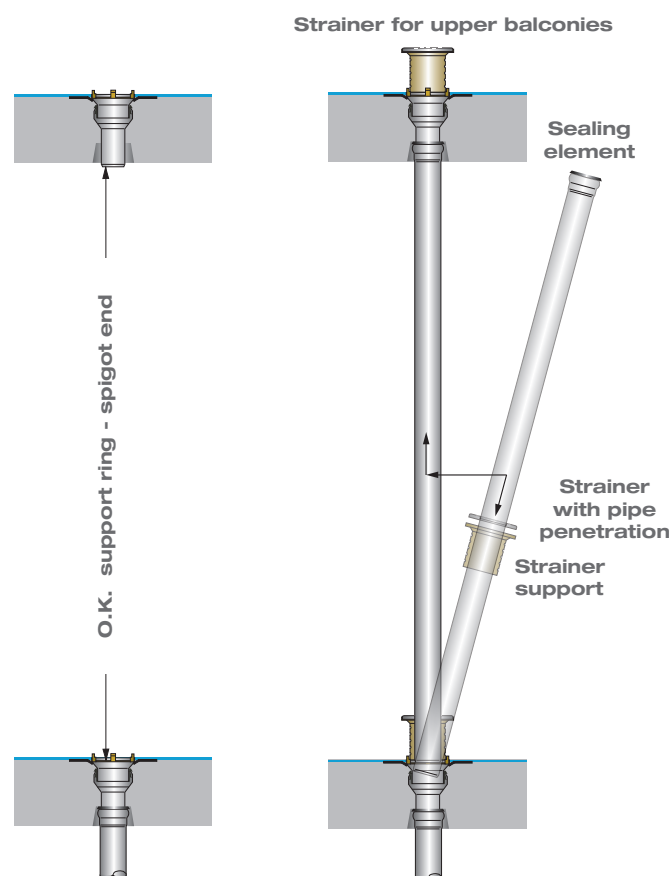
** According to the technical rules for sealings (flat roof guidelines, edition December 2016), the nuts of the flange connection have to be tightened 3x. The last tightening should take place at the earliest after 24 hours.



Installation of the downpipe

a) for strainer without height adjustment

- 1) Check the LORO balcony drains that are set in concrete. Remove concrete remains, if necessary.
- 2) Determine the distance from the upper edge of the support ring of the lower balcony drain up to the spigot end of the upper balcony drain. Add 25 mm. That way the pipe length is calculated.
- 3) Cut the downpipe to the desired length, insert the sealing element and lubricate it with lubricant, put the ring strainer onto the downpipe (round side of the strainer upwards).
- 4) Push the downpipe slantingly through the support ring into the lower balcony drain, position it vertically and put the socket onto the plug-in of the upper balcony drain. Pay attention to the proper positioning of the sealing element.
- 5) Place the downpipe onto the support ring of the lower balcony drain and push the ring strainer into the set up element. That way the downpipe is fixed.
- 6) Push the end strainer into the set up element at the top balcony.



b) for strainer with height-adjustable strainer support

- 1) Check the LORO balcony drains that are set in concrete. Remove concrete remains, if necessary.
- 2) Determine the distance from the upper edge of the support ring of the lower balcony drain up to the spigot end of the upper balcony drain. Add 25 mm. That way the pipe length is calculated.
- 3) Cut the downpipe to the desired length, insert the sealing element and lubricate it with lubricant. Put the strainer with the pipe penetration and the strainer support onto the downpipe.
- 4) Push the downpipe slantingly through the support ring into the lower balcony drain, position it vertically and put the socket onto the plug-in of the upper balcony drain. Pay attention to the proper positioning of the sealing element.
- 5) Place the downpipe onto the support ring of the lower balcony drain. On site, cut the strainer support to the desired height and insert it into the support ring with drainage openings. Push the strainer with pipe penetration into the strainer support. That way the downpipe is fixed.
- 6) On site, cut the strainer support at the top balcony to the desired length and insert it into the support ring with drainage openings. Push the strainer into the strainer support.

LOROWERK K.H. Vahlbrauk GmbH & Co. KG

Kriegerweg 1 • 37581 Bad Gandersheim, Postfach 13 80 • 37577 Bad Gandersheim

Tel. +49 5382 71 0 • Telefax +49 5382 71 2 03 • Internet: www.loro-x.de • e-mail: infocenter@lorowerk.de